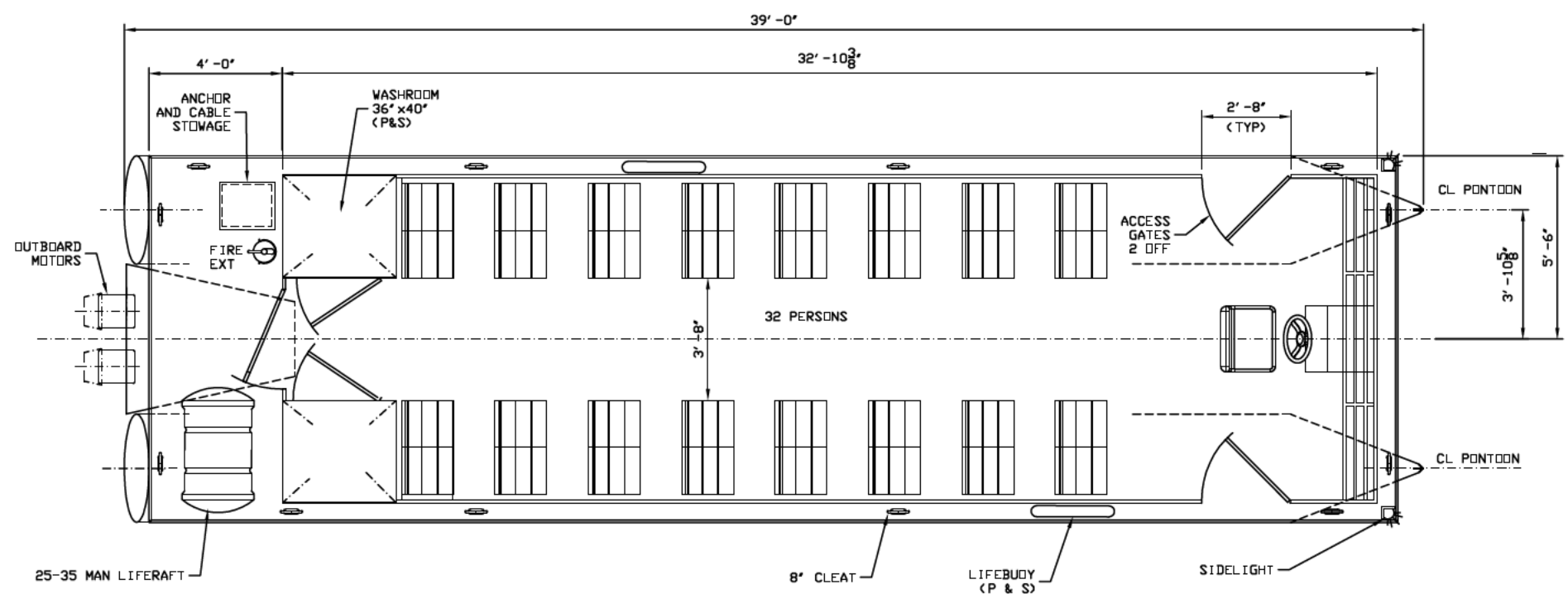
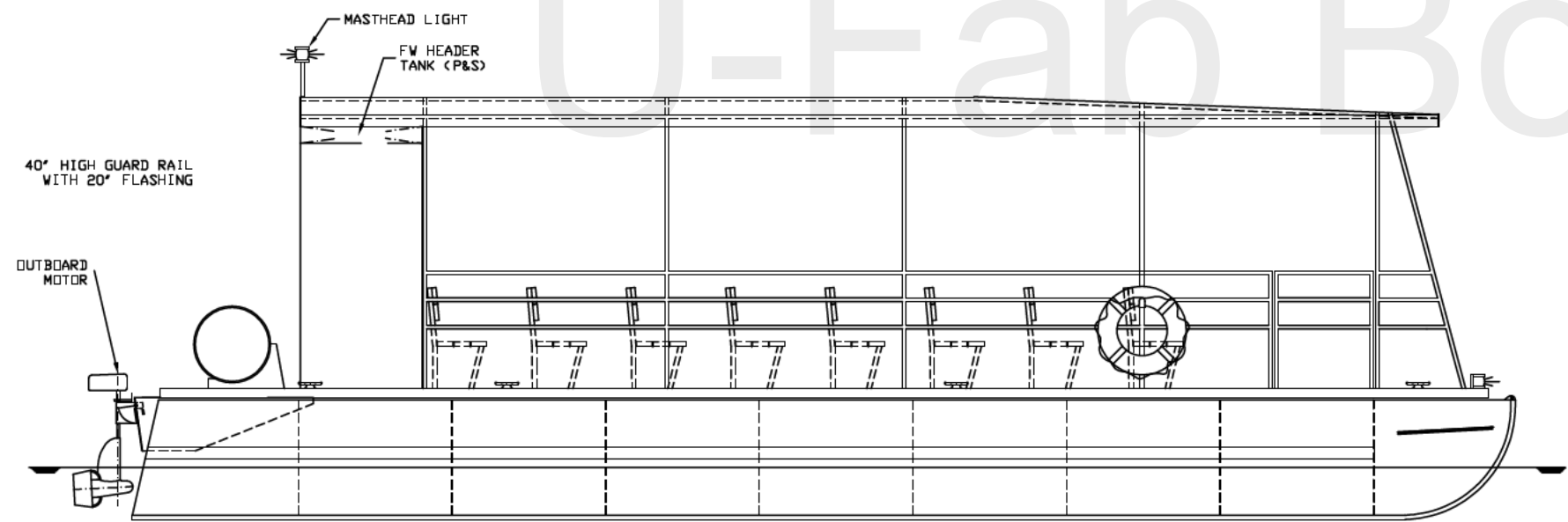


U-FAB BOATS - 24 PASSENGER VESSEL  
 PRINCIPAL PARTICULARS

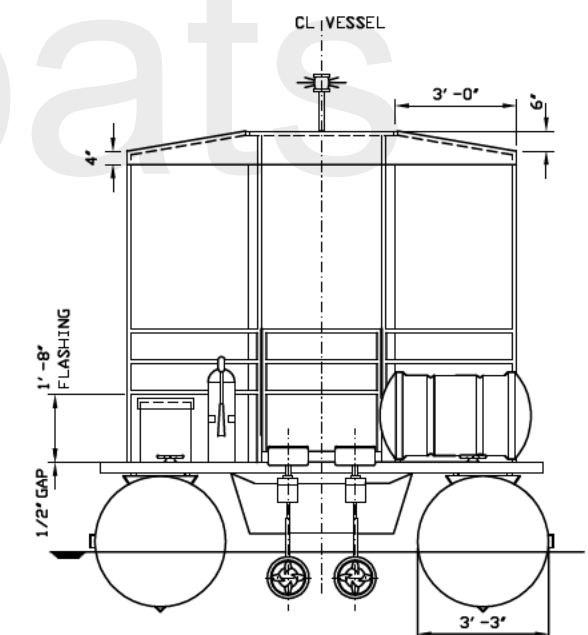
LENGTH (HULL) = 39'-0"  
 MAX BEAM = 11'-4"  
 MAIN DECK (ABL) = 3'-11 1/4"  
 DEPTH (TOP OF ROOF) = 11'-11 3/8"  
 PONTOON DIA = 39"



PLAN AT MAIN DECK



ELEVATION LOOKING TO PORT



AFT END LOOKING FWD

REV	DATE	BY	CHK	APP	DESCRIPTION
REVISIONS					
APPROVALS / APPROBATIONS					
CLASSN	SUB/SCALE	APP	REV	REV	REV
CDL/SEC					
DRAW/PROP					
<b>U-FAB BOATS</b> www.u-fabboats.com					
DRAWING PRODUCED BY <b>FLEETWAY Inc.</b>					
PROJECT: 39 FOOT, 32 PASSENGER, 39" DIAMETER PONTOON VESSEL WITH WASHROOMS					
DRAWING TITLE: <b>GENERAL ARRANGEMENT</b>					
BY: I.GILBERT	CHK: M.FOLLETT	APP: S.DANIELS	REV: NTS		
DATE: 10/20/11	SCALE: X	NO. OF SHEETS: 1	REV. OF SHEETS: 1		